



## Specifications

Switch Function	SPST, SPDT
Electrical Ratings	UL61058-1, TÜV 15A @ 125VAC, General Purpose, T105/55 10A @ 250VAC, General Purpose, T105/55
Electrical Life	10,000 cycles typical

Contact Resistance	<50mΩ initial
Dielectric Strength	1500Vrms min
Insulation Resistance	>100MΩ min
Operating Temperature	-40°C to 105°C
Storage Temperature	-40°C to 105°C

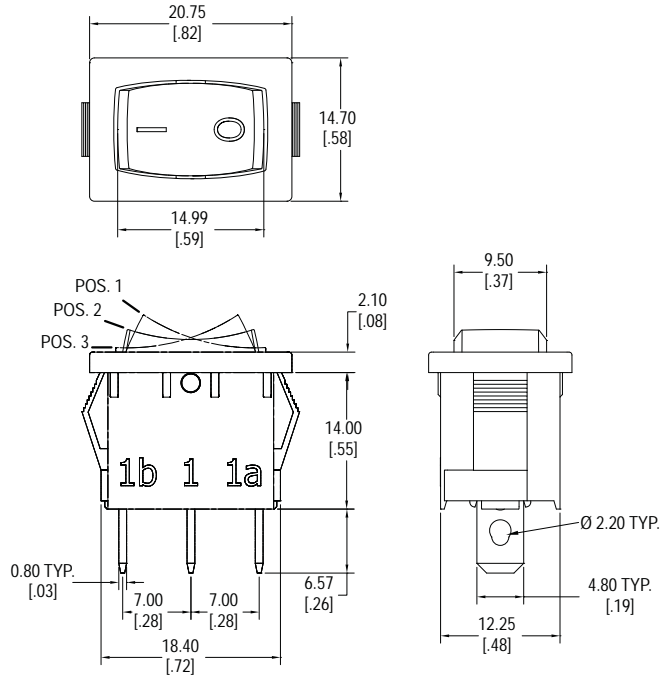
Actuator	6/6 Nylon
Housing	6/6 Nylon
Contacts	Silver Alloy
Terminals	Brass, Silver Plated

1. Series	RA	1	1	2	2	C	W	C
RA								
2. Number of Poles 1 = Single pole								
3. Switch Function 1 = OFF - ON **LED only available with this function 2 = OFF - (ON) 3 = (OFF) - ON 4 = ON - ON 5 = ON - (ON) 6 = ON - OFF - ON 7 = (ON) - OFF - (ON) 8 = ON - OFF - (ON)								
4. Housing Color 1 = White 2 = Black 9 = Gray								
5. Actuator Color 1 = White 2 = Black 3 = Red 6 = Orange 7 = Blue 9 = Gray								
6. Actuator Marking: A D G J M B E H K X C F I L ** X marking used with LED only								
7. Actuator Marking Color Blank = No Marking **Use this option for X actuator marking (LED) B = Black W = White R = Red								
8. Terminal Options C = .187" Quick connect / solder lug P = PC pins R = Right angle PC pins **Not available with LED option L = Left angle PC pins **Not available with LED option								
9. LED Options (for use with ON - OFF function & X actuator marking only) Blank = No LED R = Red Y = Yellow G = Green B = Blue								

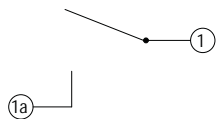
# RA

## Multi-Function Rocker

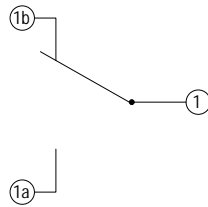
### Dimensions



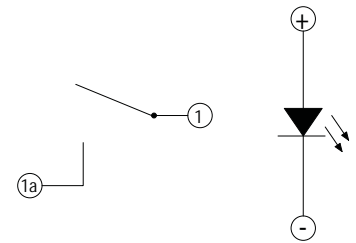
### Schematics



**SPST**

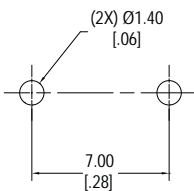


**SPDT**

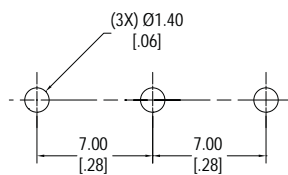


**SPST with LED**

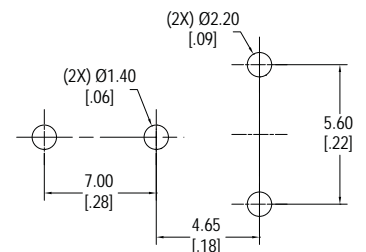
### PC Layouts



**SPST**

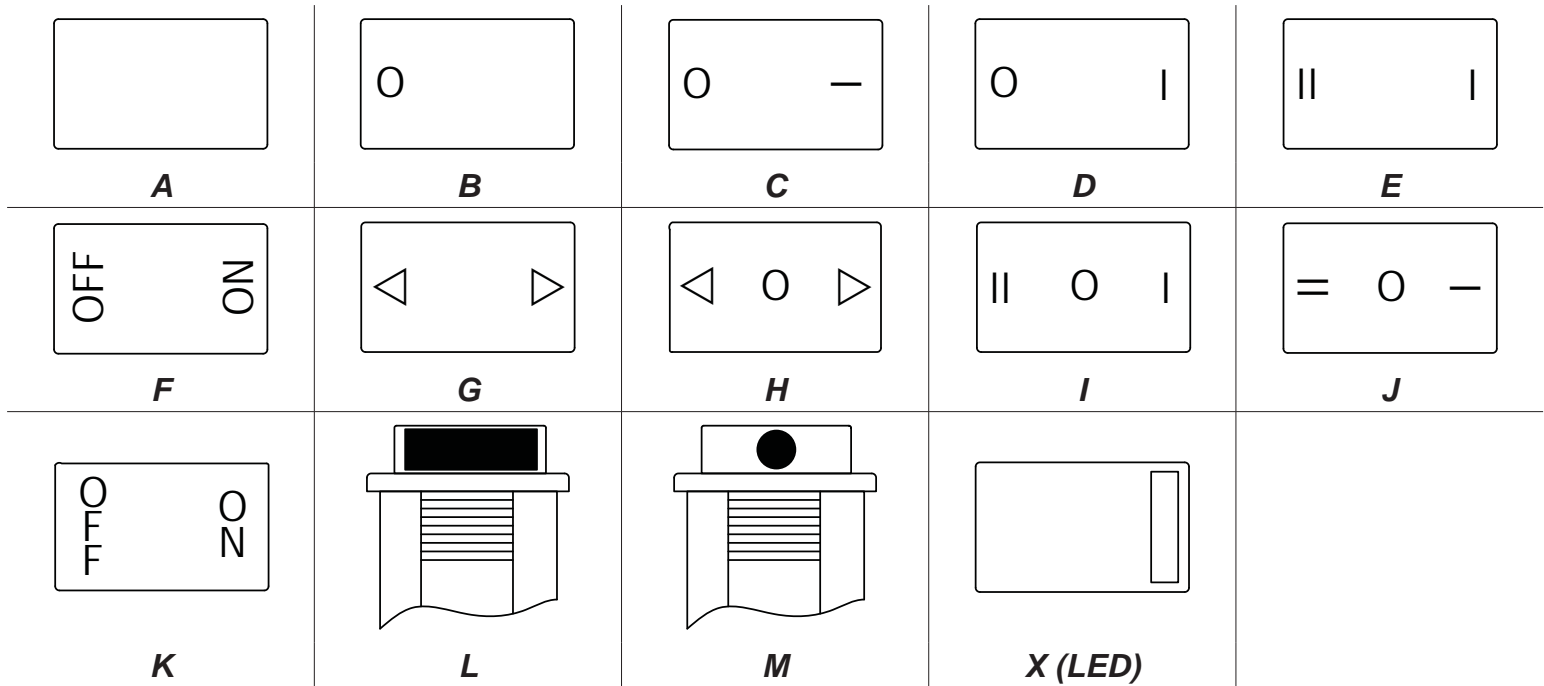


**SPDT**

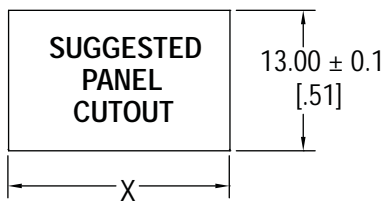


**SPST with LED**

**Actuator Marking Options**



**Panel Cut Out**

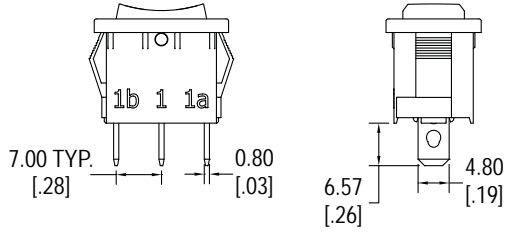


Panel Thickness	X
0.75 ~ 1.25	$19.2 \pm .1$
1.25 ~ 2.00	$19.4 \pm .1$
2.00 ~ 3.00	$19.8 \pm .1$

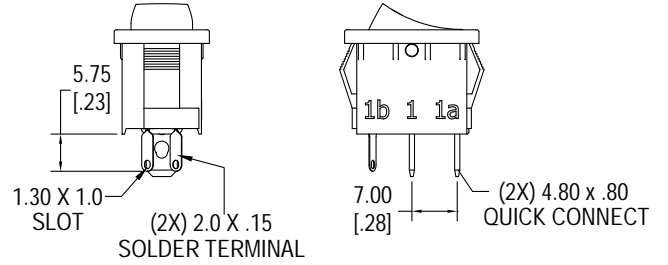
# RA

## Multi-Function Rocker

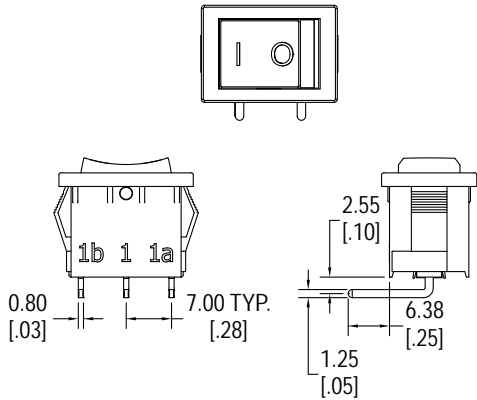
### Terminal Options



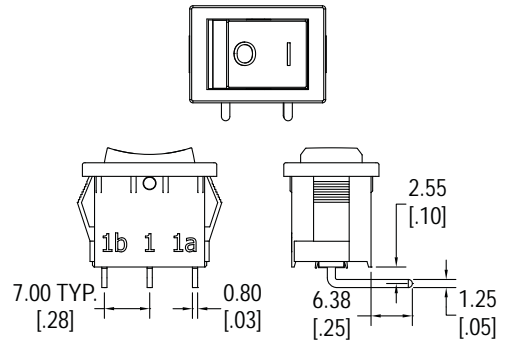
**C**



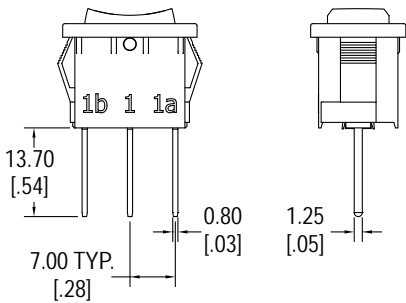
**C with LED**



**L**



**R**



**P**